

Bio-Chem Fluidics offers four different ways to mount your solenoid operated valve or pump in your instrument. All four styles can be used across the range of Bio-Chem Valve™ solenoid operated valves and pumps and are designed to be installed with minimum tooling or effort.



**MU-Series
Mounting
Flange**

Bulkhead Mount



**MR-Series
Mounting
Ring**



**MC-Series
Mounting
Clip**

Wall Mount



**Integral
Mounting
Holes**

Base Mount

MU-SERIES MOUNTING FLANGE



- Constructed from sturdy, glass-filled Polypropylene
- Spring steel retainer ring and set screw ensure a secure fit
- Surface withstands alcohol, bleaches and other common cleaning agents
- Screw hole orientation relative to tubing can be adjusted to fit available system space

MC-SERIES MOUNTING CLIP



- Constructed from Spring Steel
- Simple construction - no tools required to secure valve into position
- Holds valve securely inside instrument

MR-SERIES MOUNTING RING



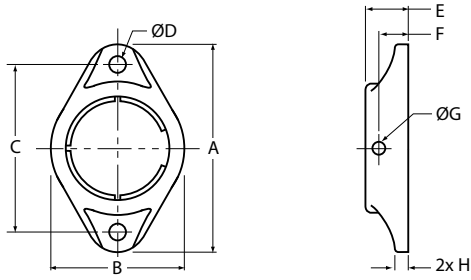
- Constructed from Aluminum
- Tightening screw secures ring firmly to valve but can be loosened for re-positioning
- Can be bulkhead mounted, inside or outside
- Screw hole orientation relative to tubing can be adjusted to fit available system space

INTEGRAL MOUNTING HOLES



- Threaded mounting holes in the base of the valve or pump provide a more permanent way to mount directly to a plate or base
- Order mounting holes by adding the suffix "M" to the standard part number

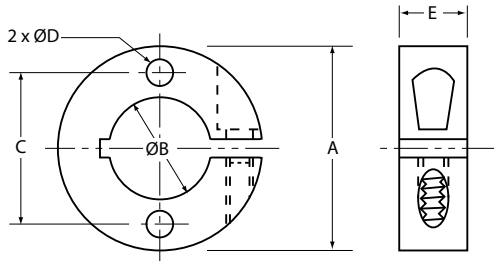
MU-Series



	A	B	C	D	E	F	G	H
MU-075	1.55 / 39.4	1.00 / 25.4	1.25 / 31.8	3/8 / 3.2	0.32 / 8.1	0.22 / 5.6	5/64 / 2.0	0.10 / 2.5
MU-100	1.92 / 48.8	1.25 / 31.8	1.58 / 40.1	5/32 / 4.0	0.42 / 10.7	0.32 / 8.1	5/64 / 2.0	0.12 / 3.0

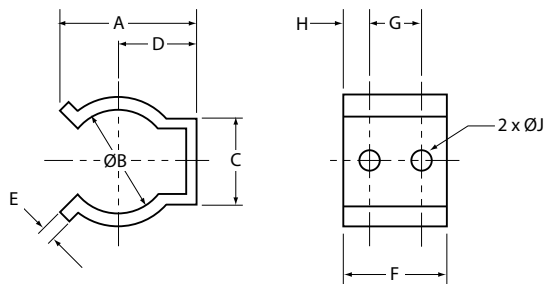
D represents round holes on MU-075 and slots (0.20"/5mm long) on MU-100

MR-Series



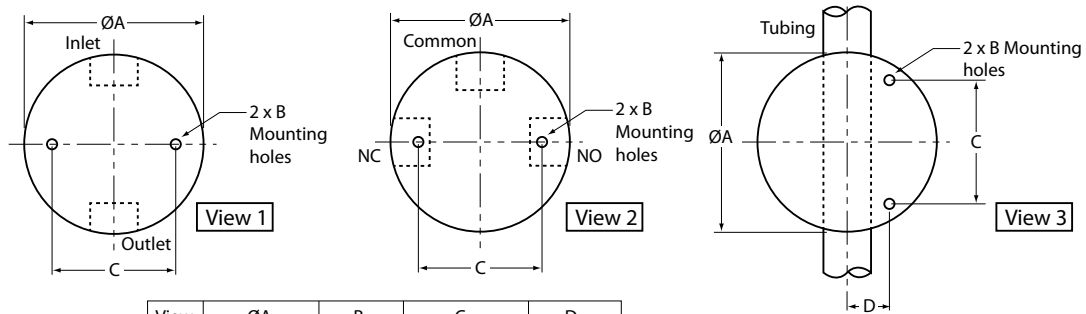
	A	B	C	D	E
MR-075	1.50 / 38.1	0.75 / 19.1	1.13 / 28.7	0.20 / 5.1	0.50 / 12.7
MR-100	1.75 / 44.5	1.00 / 25.4	1.38 / 35.0	0.20 / 5.1	0.50 / 12.7
MR-150	2.25 / 57.2	1.50 / 38.1	1.88 / 47.6	0.20 / 5.1	0.57 / 14.4

MC-Series



	A	B	C	D	E	F	G	H	J
MC-075	1.00 / 25.4	0.75 / 19.1	0.39 / 9.9	0.51 / 13.0	0.02 / 0.5	0.75 / 19.1	0.38 / 9.5	0.19 / 4.8	0.15 / 3.8
MC-100	1.13 / 28.7	1.00 / 25.4	0.51 / 13.0	0.68 / 17.3	0.03 / 0.8	0.75 / 19.1	0.38 / 9.5	0.19 / 4.8	0.14 / 3.6

Mounting holes



	View	ØA	B	C	D
2-way Iso. Valves	075T2	1	0.75 / 19.1	#4-40 ¹	0.50 / 12.7
	100T2	1	1.00 / 25.4	#4-40 ¹	0.69 / 17.5
Micro-Pumps	120SP	1	1.00 / 25.4	#4-40	0.69 / 17.5
	150SP	1	1.50 / 38.1	#8-32	1.13 / 28.7
3-way Iso. Valves	075T3	2	0.75 / 19.1 ²	#4-40	0.69 / 17.5
	100T3	2	1.00 / 25.4	#4-40	0.69 / 17.5
Pinch Valves	075P2	3	0.75 / 19.1	#2-56	0.50 / 12.7
	100P2	3	1.00 / 25.4	#4-40	0.69 / 17.5

¹ PTFE body has untapped holes for #4-40 self-tapping screws
² PTFE body is 0.88" [22.2mm] diameter

Mounting Options

BIO-CHEM FLUIDICS

All dimensions are in inches / mm

Bio-Chem Fluidics Inc
 85 Fulton Street, Boonton NJ 07005 USA
 t: 973 263 3001 f: 973 263 2880 e: sales.us@biochemfluidics.com

Bio-Chem Fluidics Ltd
 2 College Park, Coldhams Lane, Cambridge CB1 3HD UK
 t: +44 (0) 1223 416642 f: +44 (0) 1223 416787 e: sales.eu@biochemfluidics.com

Bio-Chem Fluidics Technology (Shanghai) Co. Ltd
 South Metropolis Industrial Park, Jindu Road, Minhang District, Shanghai, PRC 201108
 t: +86 21 61519058 f: +86 21 61519090